

## Flexem FPAD9 Series HMI

### Model: FPAD916R001

#### Product Overview

FPAD9 series is Flexem's new-generation high-end IoT HMI. Based on Linux operating system, equipped with Intel X86 architecture high-performance processor, and large-capacity memory, it has a solid foundation for big data processing and efficient operation. With brand new configuration software, abundant configuration resources and templates, as well as powerful application features, it offers the users a flexible, innovative, and open-ended programming experience. Thin and light housing, flush-mounted installation and VESA installation make the device suitable for installation in any application environment. Multiple types of human-machine communication interfaces make itself a preferred choice for being a hosting information device.

#### Product Appearance



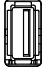

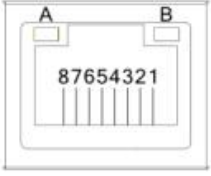

## Product Specifications

Hardware	Display	15.6" 16:9 TFT LCD
	LCD Viewing Angles (T/B/L/R)	85'/85'/85'/85'
	Resolution	1920×1080
	Colors	24-bit
	Brightness	250 cd/m <sup>2</sup>
	Backlight Type	LED
	LCD Lifetime	50000 hours
	Touch Panel	4-wire industrial resistive touchscreen
	CPU	Integrated Intel Celeron J3455 4-core 1.50 GHz processor, up to 2.30 GHz
	Memory	8 GB DDR3L, Support 1333/1600/1866 MHz
	Storage	128 GB, SATA SSD
	RTC	Built-in
	Ethernet	LAN1:RJ45, 10/100/1000 Mbps; LAN2:RJ45, 10/100/1000 Mbps
	USB Port	4 * USB3.0 (TYPE-A, Rear IO); <b>Explanation: RS485 communication can be achieved via applying USB-to-RS485 converter *1</b>
	Display Port	2*HDMI (upright 90° TYPE-A): up to 3840x2160@30Hz
Serial Port	1 * RS232 (COM1, Full lanes, DB9/M)	
Wi-Fi	Depend on the choice of the user	
Horn	Built-in	
Software	Operating System	Linux
	Programming	FStudio Unified
Electrical Specifications	Rated Power	45 W
	Input Power	DC24V, working voltage range DC24V ± 20%
	Power Protection	Isolated power adaptor with lightning surge protection
	Power Interruption Tolerance	< 5 mS
Certification	EN61000-6-2:2005, EN61000-6-4:2007 standards certified RoHS certified;Lighting surge:±1kV,Surge cluster:±2 kV; Contact ESD:4kV;Air ESD:8kV	
Environmental Specifications	Operating Temperature	0 ~ 50°C
	Storage Temperature	-20 ~ 60°C
	UV Resistance	Operating in high UV environment is prohibited (e.g., in direct sunlight)
	Environmental	10 ~ 90% RH(non-condensing)

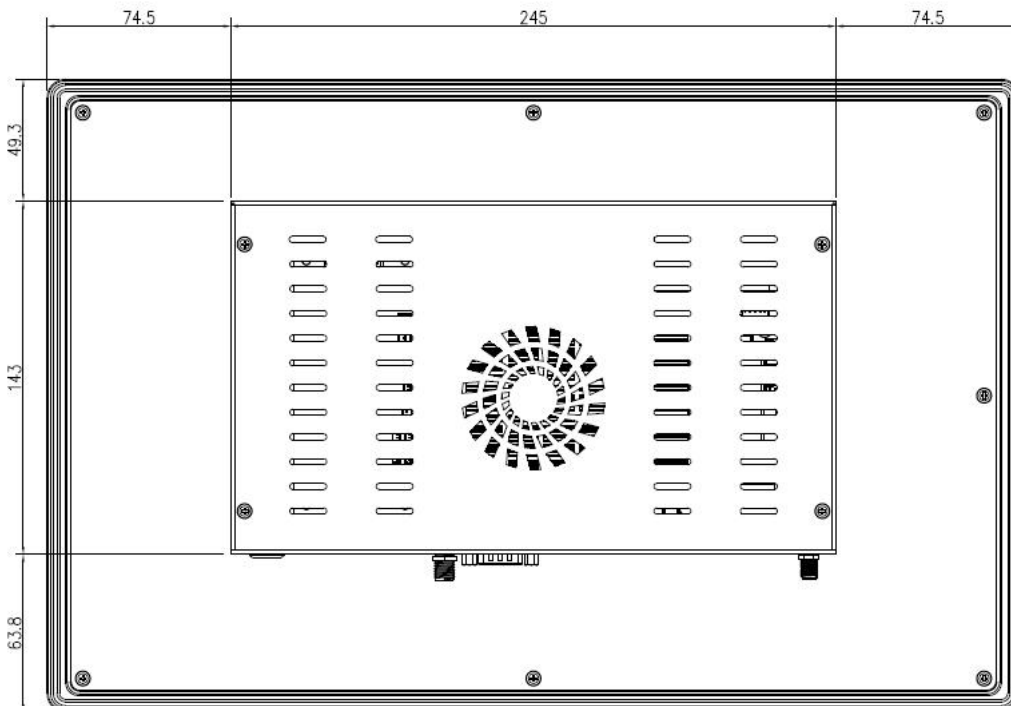
	Humidity	
	Vibration Endurance	10 ~ 25 Hz(X、Y、Z direction, 2G / 30 minutes)
	Cooling Method	Natural Cooling
Mechanical Specifications	Installation Method	Flush-mounted
	Protection Level	Front: IP65 (with NEMA enclosure) , Rear: IP20
	Enclosure material	Non-ferrous alloys
	Cutout Dimensions	380mm×245mm
	Overall Dimensions	394mm×256mm×53.3mm
	Weight	About 2950g

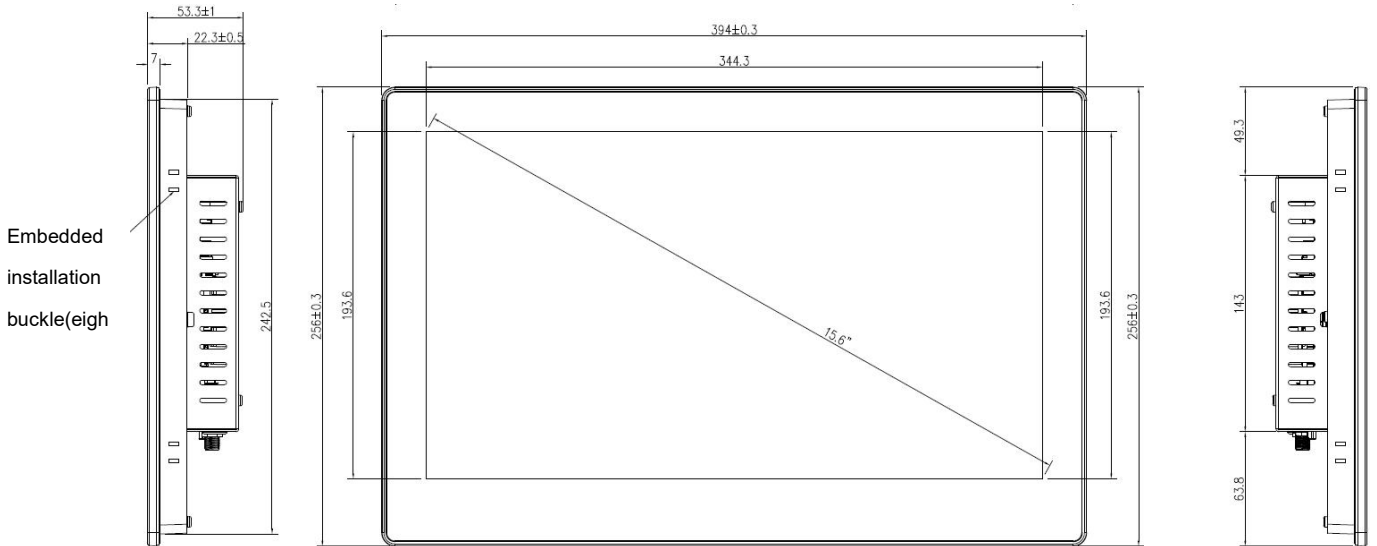
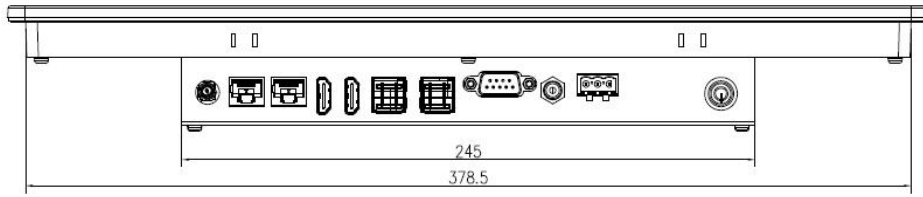
## Wiring Definition

PowerSwitch		
	Power Switch	The FPAD'power supply can be disconnected by pressing this power switch. (Note: When the FPAD computer is turned on and working normally, this switch should not be frequently turned off to power off, which can cause system abnormalities.)
Power Terminal (Pin1~3 from left to right)		
	Pin1	DC24V
	Pin2	GND
	Pin3	FG
DC12V power adapter socket (spare)		
	Power adapter socket	Connect to the external power adapter plug (12V/5A power supply, threaded, rotatable lock fixed). Note:External power adapter, requires ≥ 60W
DB9 Port(COM1/COM3)		
	Pin1	
	Pin2	RxD (COM1 RS232)
	Pin3	TxD (COM1 RS232)
	Pin4	
	Pin5	GND
	Pin6	
	Pin7	
	Pin8	
	Pin9	

USB Host *4 Port																																						
	USB Type A 3.0	For peripheral devices, such as flash drive or bar code scanner, etc. RS485 communication can be achieved via applying USB-to-RS485 converter *1																																				
HDMI Port *2																																						
	HDMI 2.0a	HDMI output port, support 1080P display.																																				
Ethernet port*2																																						
	RJ45	<table border="1"> <thead> <tr> <th>Pin</th> <th>Definition</th> <th>Pin</th> <th>Definition</th> </tr> </thead> <tbody> <tr> <td>1</td> <td>MDI0_1+</td> <td>5</td> <td>MDI2_1-</td> </tr> <tr> <td>2</td> <td>MDI0_1-</td> <td>6</td> <td>MDI1_1-</td> </tr> <tr> <td>3</td> <td>MDI1_1+</td> <td>7</td> <td>MDI3_1+</td> </tr> <tr> <td>4</td> <td>MDI2_1+</td> <td>8</td> <td>MDI3_1-</td> </tr> <tr> <td rowspan="3">A</td> <td rowspan="3">Active LED</td> <td rowspan="3">B</td> <td rowspan="3">Speed LED</td> <td>ACT: Twinkling Yellow</td> </tr> <tr> <td>Only LINK: Lights Off</td> </tr> <tr> <td>Stop: Lights Off</td> </tr> <tr> <td colspan="2"></td> <td>1000M: Turn Yellow</td> </tr> <tr> <td colspan="2"></td> <td>100M: Turn Green</td> </tr> <tr> <td colspan="2"></td> <td>10M: Lights Off</td> </tr> </tbody> </table>	Pin	Definition	Pin	Definition	1	MDI0_1+	5	MDI2_1-	2	MDI0_1-	6	MDI1_1-	3	MDI1_1+	7	MDI3_1+	4	MDI2_1+	8	MDI3_1-	A	Active LED	B	Speed LED	ACT: Twinkling Yellow	Only LINK: Lights Off	Stop: Lights Off			1000M: Turn Yellow			100M: Turn Green			10M: Lights Off
Pin	Definition	Pin	Definition																																			
1	MDI0_1+	5	MDI2_1-																																			
2	MDI0_1-	6	MDI1_1-																																			
3	MDI1_1+	7	MDI3_1+																																			
4	MDI2_1+	8	MDI3_1-																																			
A	Active LED	B	Speed LED	ACT: Twinkling Yellow																																		
				Only LINK: Lights Off																																		
				Stop: Lights Off																																		
		1000M: Turn Yellow																																				
		100M: Turn Green																																				
		10M: Lights Off																																				
Antenna Port (Optional)																																						
	Antenna rocket	SMA antenna port																																				

### Dimension drawings





Cutout dimensions of flush-mounted installation: 380 mm \* 245 mm