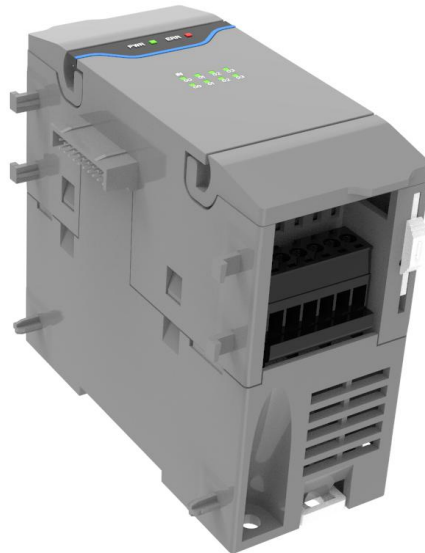


FL3 Series PLC Digital IO Expansion Module

FL3-0800 FL3-0404T FL3-0008T



Products Overview

- FL3 series PLC main module digital expansion module in the right color.
- Input and Output IO Serial NO is Octal Number.
- The main PLC supports at most 8 expansion module
(Digital/analog/temperature module).
- Modules combination with flexible setting.
- With removable connecting terminals and convenient connection.
- Simple and fast installation with guide/screw hole installation.

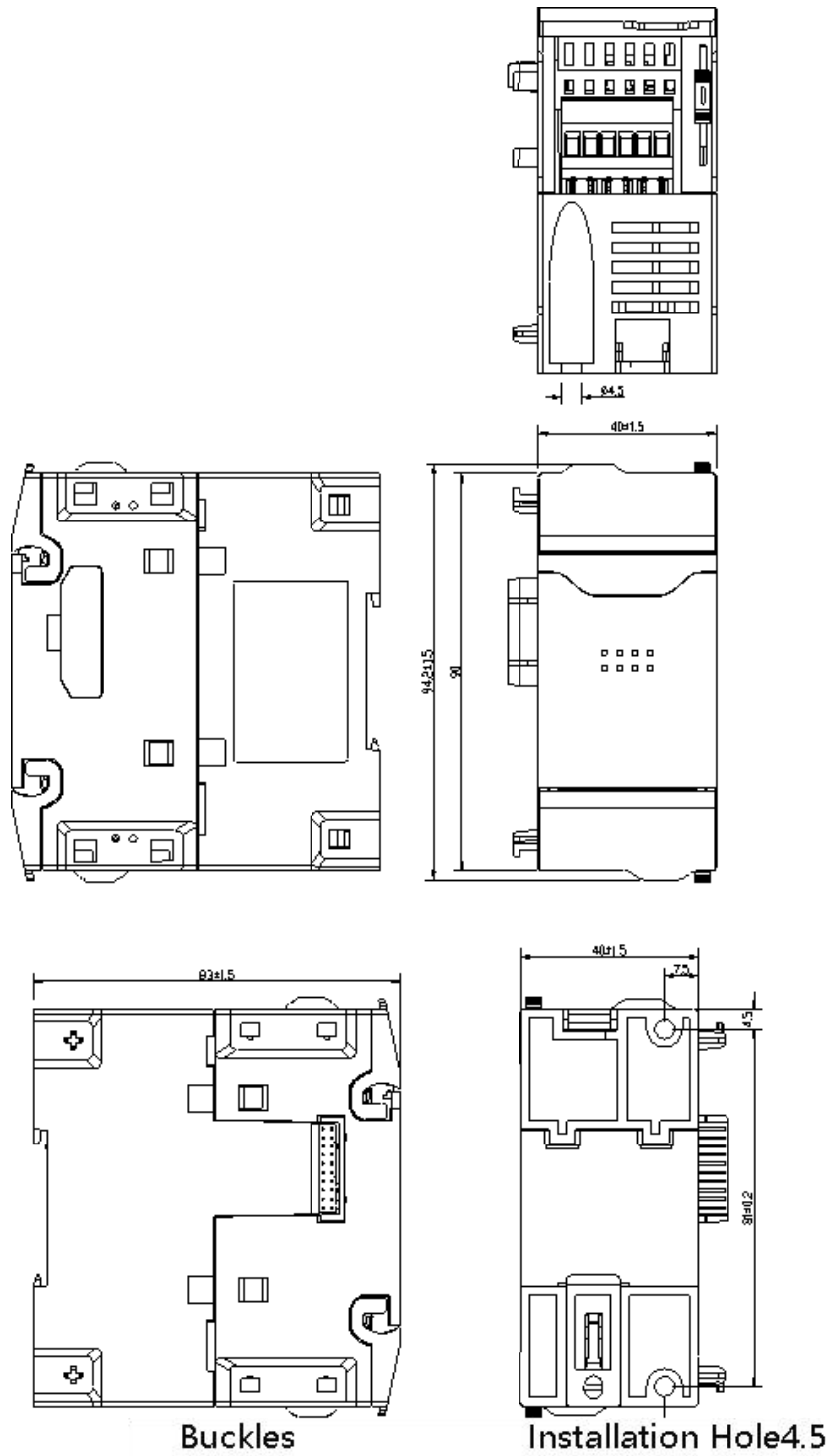
Specifications

Model			FL3-0800	FL3-0404T	FL3-0008T
Input	24VDC	Low Speed Input	8 counts	4 counts	—
Output	Relay		—	—	—
	Transistor	Low Speed Output	—	4 counts	8 counts
Signal Indication Lamp			Available		
Input Power			24VDC -15%/+20%, 3.2W max. Main PLC provides power without external input		
Wiring Connection			Removable Terminals		
Working Method			It cannot work separately and needs equipping FL3 series PLC main body to use.		
Working Temperature			-20~70℃		
Storage Temperature			-30~80℃		
Environment Humidity			10~90%RH(The surface is without condensate.)		
Mechanical Structure			Engineering Plastics		
Installation Way			Install directly on DIN46277(width 35mm) sideway or using screws to fix it.		
Dimension			40mmx90mmx83mm		
Weight			15g		

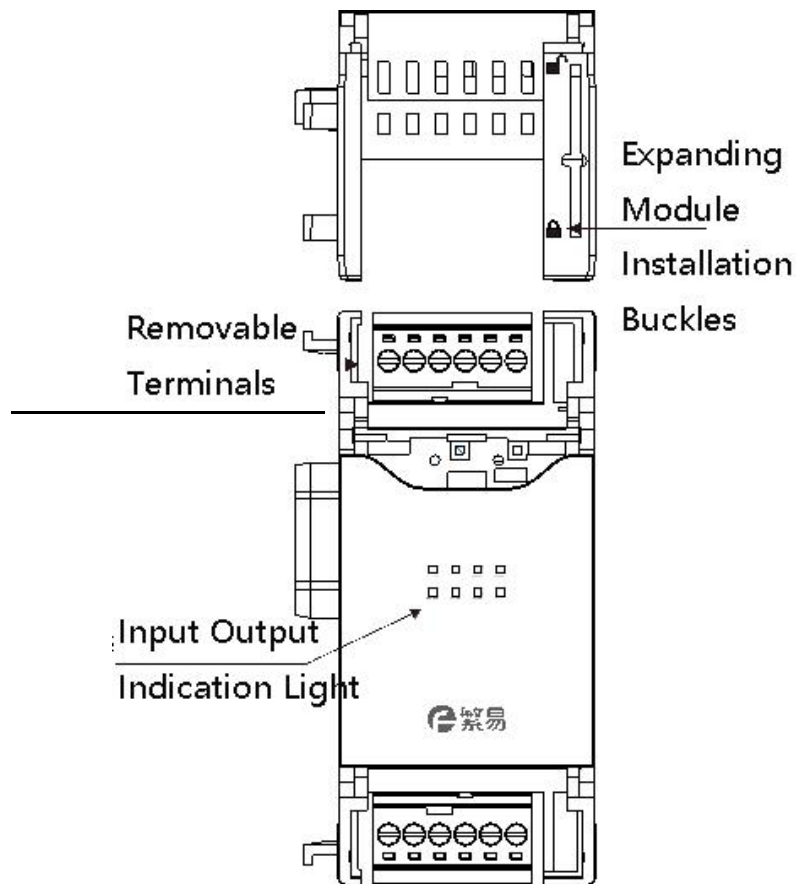


Shanghai Flexem Technology Co.,Ltd.

Size



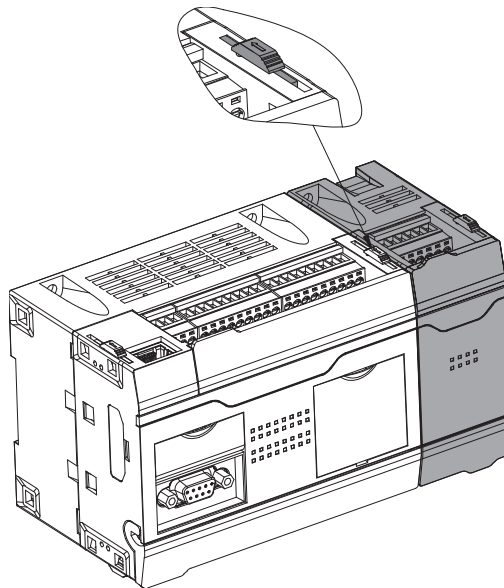
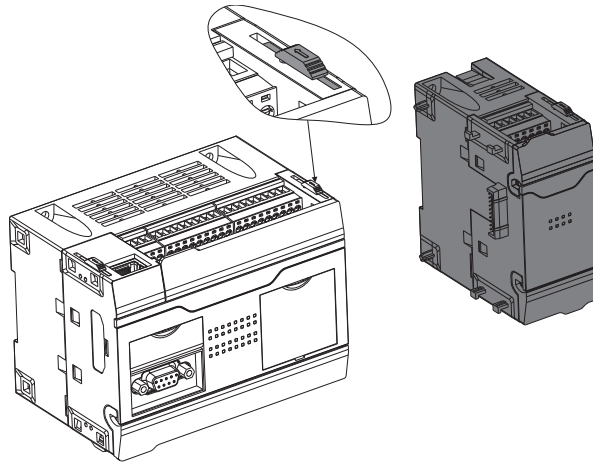
Products Components



Name	Function	
Installation Buckles	Used to fix the module and right expansion module.	
Expansion Module	Used to connect other expansion module.	
Signal Input Output Terminals	Used to connect quantity input, output and external devices terminals which are removable.	
Module Model	This function module's model.	
Module Status Running Indication Light	PWR	The indication light will be on when the module is with power supply source.
	ERR	ERR light off. The module is of normal working status. ERR light on, the module is without any authorization which needs to be returned to factory. ERR light always on, the module is with serious application faults and cannot be used, you can restart the PLC program initialization or updating firmware, if it is not solved, you can return it to factory to maintenance.
Input Output Indication Light	Whether digital input output conducts the indication light.	

Expanding Module Installation

- (1) Please unlock the right buckle of the main plc as indicated in the photo.
- (2) After pushing expanding module to the main PLC connection, lock the expanding module by pushing buckle reversely.
- (3) After expanding the module, add the expansion module and do same operation.



Terminals Definition

X0~X3 Input Points					
SS0	X0	X1	X2	X3	NC
FL3-0800					
SS1	X4	X5	X6	X7	NC
X4~X7 Input Points					

X0~X3 Input Points					
SS0	X0	X1	X2	X3	NC
FL3-0404T					
C0	Y0	Y1	Y2	Y3	NC
Y0~Y3 Input Points					

Y0~Y3 Input Points					
C0	Y0	Y1	Y2	Y3	NC
FL3-0008T					
C0	Y4	Y5	Y6	Y7	NC
Y4~Y7 Input Points					

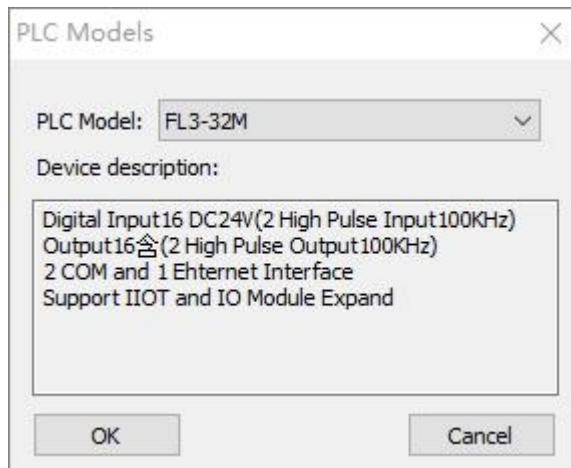
Wiring terminals function:

SS0	X0~X3 Input Terminals Common Points
SS1	X4~X7 Input Terminals Common Points
C0	Y0~Y7 Output Terminals Common Points
NC	Null Terminals

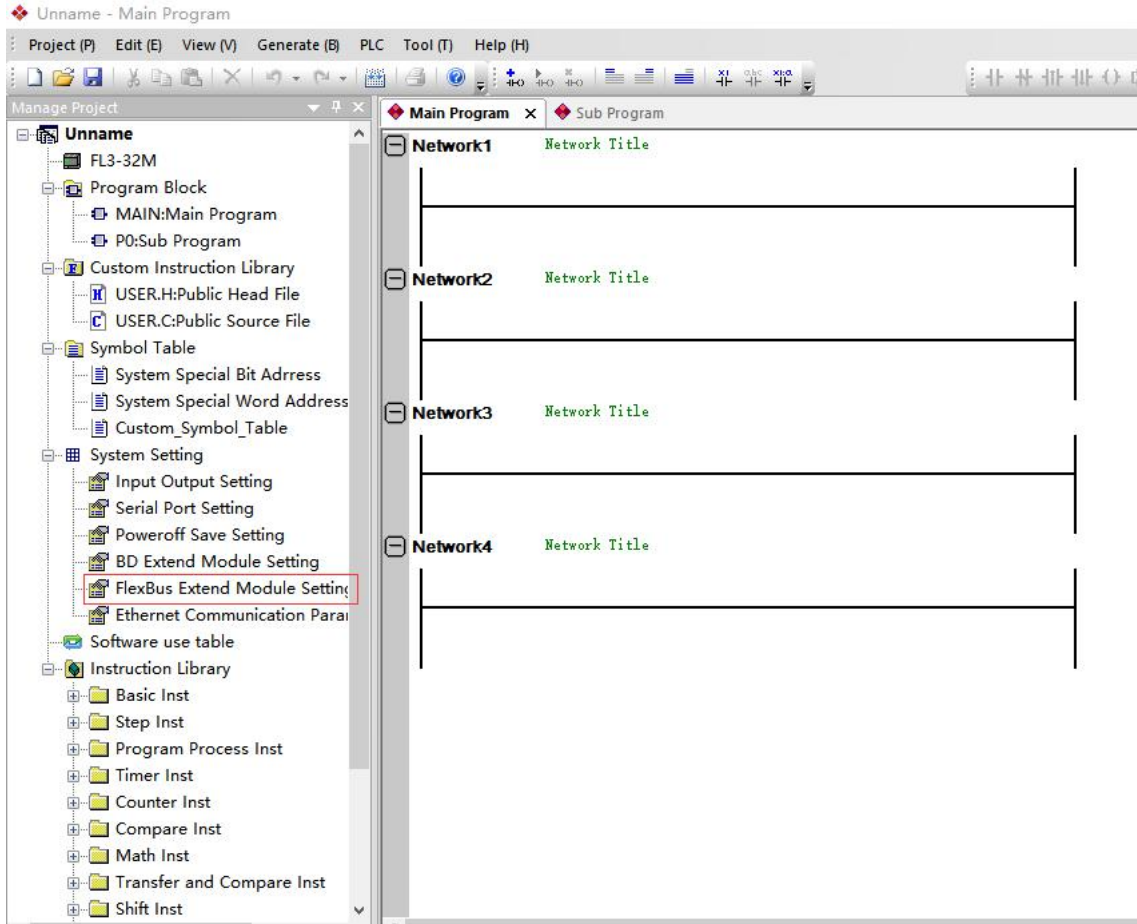
Software Preparation

First you need do correspondent setting in PLC programming software FlexLogic when using module.You can use following FL3-0404T module as below and show how to set in the edition software, and the steps are as below:

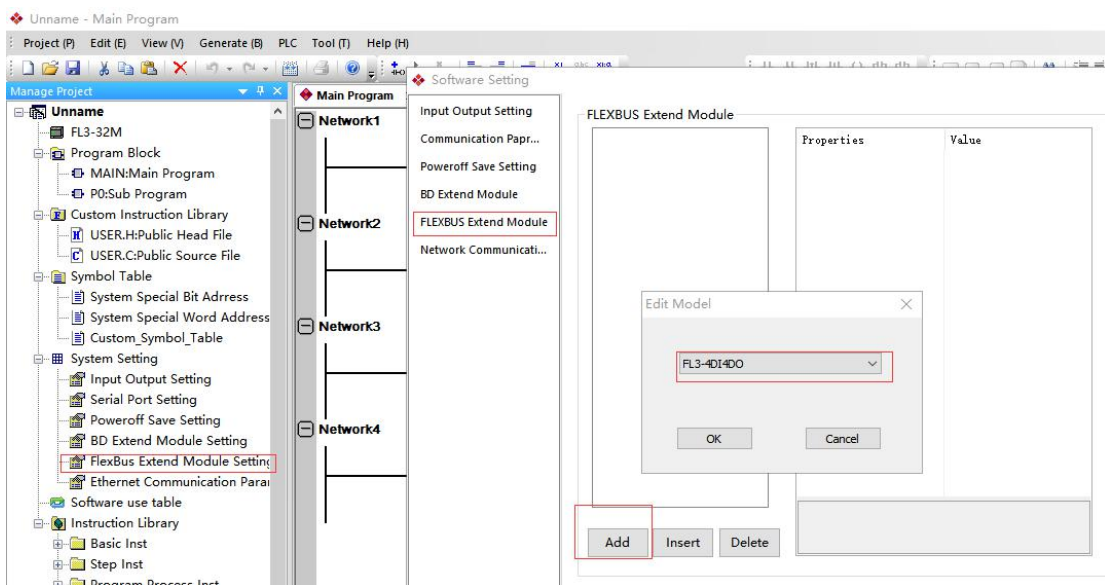
1. Open FlexLogic software, and please select FL3 main PLC as below:



2. Please click FlexBus extend module setting in the left side of the system setting, and the following window will be popped up.



3. Please select “FlexBus Extend module”, click to add the module, then select module model, click “OK” after selection.



Contact us

Shanghai (R&D Center)

Address: Floor 11, INNO center,
No 298 Guoxia road,
Yangpu district,
Shanghai, 200043

Telephone: +86-21-68683993

Fax: +86-21-65107569

Suzhou

Address: Room 915, Ricky Building,
No.668, Yuting Avenue, Suzhou
Industrial Park

Telephone: +86-512-69833996

Shenzhen (Factory)

Address: 5th Floor, NO.2 Building,
Lanyun Science Park,
Tangtou Road, Shiyan Town,
Baoan District, Shenzhen,
China

Telephone: +86-755-27610682

Fax: +86-755-27629895

Wuxi

Address: Room 1603, Taihu
Mingzhu Development
Building, No. 1890
Taihu West Road, Binhu
District, Wuxi City

Telephone: +86-18505101982

Beijing

Address: Room 2008, Building 1, No.
93 Jianguo Road, Chaoyang
District, Beijing (Wanda
Plaza)

Telephone: +86-10-58204608

Fax: +86-10-58204608

Hangzhou

Address: Room 1005, Building 6,
Dongsha Mingcheng,
No. 159, Tiancheng
East Road, Xiasha
Development Zone,
Hangzhou